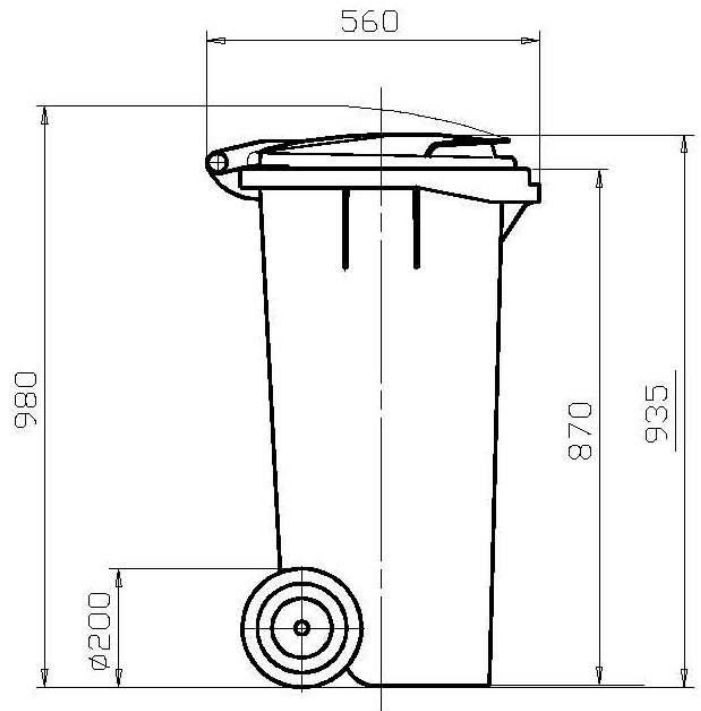
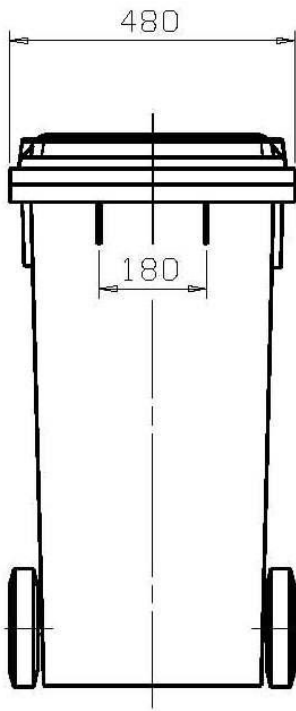
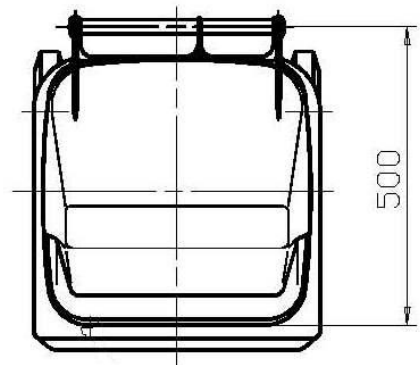


120L DIN version



TECHNICAL DATA

Capacity	120l
Weight	approx. 10kg
Material	HDPE, UV stabilized
Wheels	2 rubber wheels Ø200mm corrosion resistant steel axle
Lid/body fixation	lid with liphandle continuous handle: Ø27mm



OPTIONS

- Wheels Ø250mm
- Gravity lock, triangular lock, pad lock
- Recycling inserts for paper, glass, packaging
- Foot operated lid opener
- In Mould Labelling
- Hot stamping
- Lid with bow-type handle
- Holder for plastic bag
- Version Diamond comb
- Noise reduction according 2000/14/EG-39



ESE Industrie GmbH

Friedrich-Bückling-Str. 8; 16816 Neuruppin, Germany
Telephone +49 33 91 51 65 56; Fax +49 33 91 51 65 98



Technical changes possible